

ZM1 USER MANUAL



CONTENTS

1	INTRODUCTION	4
1.1.1	REQUIREMENTS	4
1.1.2	OPTIONS	5
2	FEATURES	6
3	OPERATION	8
3.1	CONTROL OPTIONS	8
3.2	CONTROL ARBITRATION	8
3.3	CONTROL INPUTS	8
3.4	KEYPAD CONTROL	9
3.4.1	USING THE ALPHA PLUS LCD KEYPAD	9
3.4.2	ARMING AND DISARMING WITH THE KEYPAD	9
3.4.3	CHANGING THE USER PIN	10
3.4.4	CHANGING THE KEYPAD MESSAGES AND ADDRESS	10
3.4.5	TO EXIT KEYPAD PROGRAMMING	11
3.5	JUMPER CONFIGURATION	13
3.6	LCD DISPLAY	13
3.7	STATUS LED LIGHTS	14
4	SPECIFICATIONS	16
5	INSTALLATION	17
5.1	EHT TERMINALS ON THE ZM1	17
5.2	FENCE WIRING DIAGRAMS	17
5.2.1	CONFIGURATION WITH NO RETURN WIRE FROM FENCE	18
5.2.2	EARTH LOOP MONITORING	19
5.2.3	EARTH STAKE MONITORING	20
5.2.4	NO EARTH MONITORING	21
5.3	LOW VOLTAGE TERMINALS ON THE ZM1	22
5.4	LOW VOLTAGE WIRING DIAGRAMS	24
5.4.1	16VAC 2AMP POWER SUPPLY	24
5.4.2	CONTROLLING A 240VAC ENERGIZER	25
5.4.3	EXTERNAL BATTERY AND CHARGER	26

6	PROGRAMMING OPTIONS	27
6.1	PROGRAMMING BASICS	27
6.1.1	ENTERING PROGRAMMING MODE	27
6.1.1.2	EXITING PROGRAMMING MODE	27
6.1.1.3	CHANGING THE INSTALLER PIN	27
6.1.1.4	CHANGING THE INSTALLER PIN	28
6.2	PROGRAMMING OPTIONS TABLE	28
6.3	PROGRAMMING OPTIONS IN DETAIL	30
6.3.1	FENCE ALARM VOLTAGE LEVEL (01x#)	30
6.3.2	CURRENT ALARM LEVEL (02x#)	31
6.3.3	GROUND VOLTAGE ALARM LEVEL (03x#)	31
6.3.4	MISSED PULSE COUNT (06x#)	32
6.3.5	BATTERY ALARM VOLTAGE (07x#)	32
6.3.6	SIREN ON TIME (08x#)	33
6.3.7	SIREN OFF TIME (09x#)	34
6.3.8	SIREN CYCLES (10x#)	35
6.3.9	INPUT TYPE (11x#)	35
6.3.10	GATE INPUT FUNCTION (12x#)	36
6.3.11	GATE EXIT DELAY (13x#)	36
6.3.12	CHIME MODE (14x#)	36
6.3.13	FENCE MODE (15x#)	37
6.3.14	BINARY OPTIONS (16x#)	37
6.3.15	ANTI-BRIDGING THRESHOLD (17x#)	38
6.3.16	AUTO RE-ARM TIME (20x#)	38
6.3.17	RELAY FUNCTIONS	39
6.3.18	GROUP MODE (26x#)	41
7	WARRANTY	43

1 INTRODUCTION

The ZM1 is designed to be coupled with any standard electric fence energizer (see 2.1 Limitations below) to power and monitor an electric fence. As it can control very large energizers it is anticipated that the ZM1 will find application on large fences for game reserves and border security. The ZM1 uses Patent, DFD™ technology to determine if there is a fault on very long fences. This patent has been granted South African Patent Number 2012/03424.

The combination of the ZM1 and the energizer operate in the same way as a single JVA Z series energizer, with the exception that the pulse power level of the energizer cannot be modified.

The ZM1 monitors the live feed line from the energizer to the fence and determines if the fence is working properly by measuring the voltage and current (therefore power) flowing to the fence. As such it does not require a return line from the end of the fence. This can represent a large saving on installation costs on new fences or make monitoring an existing fence possible if no return line was originally wired. The ZM1 can, however, also monitor the return if that is desired.

The ZM1 has many programmable options which can be adjusted using a JVA Z series keypad. By correctly setting the alarm threshold levels it is possible to determine if a fence has been cut or shorted at any point.

The ZM1 is designed to meet or exceed the relevant parts of IEC60335.2.76. The ZM1 is part of the JVA Z series of security energizers, designed and manufactured in Australia.

1.1 EQUIPMENT REQUIREMENTS AND OPTIONS

1.1.1 REQUIREMENTS

- An energizer
- 12V rechargeable backup battery
- 16Vac power adaptor OR external battery charger
- Security electric fence; standards, insulators, wire etc.

Some of these items may be included with the ZM1.

1.1.2 OPTIONS

- 12V Siren and strobe light
- LCD Keypad (PTE0210). Note 1,2
- Windows PC
 - Windows XP or Windows 7
 - PAE223 USB to Keypad Bus or PAE212 TCP/IP adaptor
 - Perimeter Patrol PC application (Pro version)

Note:

1. While the Keypad is not essential for normal operation, it is always required for programming options during installation.
2. Up to 3 Keypads may be used with a ZM1, each Keypad must have a unique ID setting.

For more information on these options please see www.jva-fence.com.au

There are high voltages inside the ZM1 and JVA energizers.
The high voltage inside the energizer may take a long time to discharge. Wait at least 10 minutes after turning off before opening the case.
Before working on the high voltage wiring of an electric fence, it is recommended that the energizer is disarmed and a short circuit is placed from the fence live wires to earth. This is a sensible precaution against the energizer being armed while working on the fence.
Note: The energizer manual must also be provided to the customer as it includes mandatory safety information.



The ZM1 contains patented technology. contact JVA for more information.

2 FEATURES

- Wall-mountable Z series energizer enclosure
- Can be combined with any energizer (see 2.1 Limitations below) to produce a full featured security electric fence energizer/monitor
- Distant Fault Detection (DFD)[™] allows faults to be detected on very long fence lines (Note 1)
- Anti-bridging mode, alarms on sudden change in load (Note 2)
- Control and programmable via keypad with similar codes to the Z series
- Monitor fence voltage and current to trigger an alarm if current rises or voltage falls (load increases)
- Start and/or end of fence monitoring
- Able to be monitored via PC (using Z control or Perimeter Patrol software)
- Run from 16Vac or 12V DC external source
- Built-in battery charger and 7aH back-up battery (not included)
- Can be operated from alternative larger external battery and charger
- Controls 12V DC feed to energizer
- Can control a 240Vac energizer via external relay (not supplied) (12V coil, 240Vac rated contacts)
- Remote on/off or keyswitch
- Gate contact input
- Siren and strobe switched 12V DC outputs
- 3 on-board relays with many programmable functions.

2.1 LIMITATIONS

- An energizer used with the ZM1 must comply with IEC60335.2.76 (or similar)safety standard.
- The ZM1 supports conventional wiring only (not Bi-Polar), although 2 units could be used to monitor a Bi-Polar fence.
- The maximum energizer power is 36 Joules (Stafix M36 or similar).

- A ZM1 cannot be used in a group of Z-Series Energisers or ZM1s (Code Versions 1.00 - 1.58). Version 1.59 removed this limitation.

3 OPERATION

3.1 CONTROL OPTIONS

The ZM1 may be armed and disarmed (controlled) using a:

- Key switch or remote switch connected to the control input (IN1)
- Remote control radio receiver connected to IN1
- Z Series Keypad
- JVA GSM module
- Windows PC running JVA Perimeter Patrol (Pro version)
- Low level interface (wired to control inputs and relay outputs) from a third party
- security alarm panel or Physical Security Information System (PSIM)
- A high level interface

Note: More than 1 method may be used in the one installation.

3.2 CONTROL ARBITRATION

If an installation contains two ways to control the ZM1/Energizer, then the most recent control signal will determine the Armed/Disarmed state. For example, if the ZM1 is armed via the keypad, and then disarmed at the control input (IN1), it will disarm.

The higher level control methods such as the GSM and PC control software may

override the Control input and Keypads methods, depending on the options used. If you need to make sure that the fence is disarmed (for maintenance) then using the Key switch or keypad alone may not guarantee that the fence will remain disarmed.

3.3 CONTROL INPUTS

The ZM1 may have a single Key switch mounted on the right hand side of the cabinet which may be used to arm and disarm the security electric fence to which it is connected. This switch is useful for the simplest implementations where no keypad or PC control program is used. It may be disabled by the installer, by removing the lead from socket SW2.

When switched on via the Key switch (or a switch connected to IN1) the ZM1 will power up the energizer it is coupled to and begin monitoring the fence. The LCD display will change to display the Feed and Ground voltages. If there is a fence fault the ZM1 will go into alarm, the internal beeper will sound (if it has not been inhibited) and any siren and strobe connected to the ZM1 will be turned on.

Switching the Key switch off will disarm the ZM1, though it will continue to display the alarm.

3.4 KEYPAD CONTROL

A Z-Series keypad allows for easy remote control of your ZM1. Arming and disarming, responding to alarms or just checking the fence voltage, the keypad makes this easy through a simple menu system or key sequences (shortcuts). Your security is protected by a user PIN.

A keypad also is required to change the programmable options, see “6 PROGRAMMING OPTIONS” on page 29.

3.4.1 ARMING AND DISARMING WITH THE KEYPAD

Enter your User PIN (Personal Identification Number: four digits long) and push the # key. Make sure the red ARM light comes on and the keypad beeps twice to confirm that the system is armed.

The fence will power up and if all is well (no faults) the system will be ready to deter and detect.

To disarm the system enter your User PIN and press #.

Note: If there is an alarm sounding you will need to enter your PIN twice, once to silence the alarm and once more to disarm.

3.4.2 TO SILENCE THE ALARM

Enter **1470#** on the Keypad. This will silence the Siren but not disarm the system; the armed light will remain on and the Strobe will still indicate the Zone that was in Alarm.

Entering this command will force the Siren into its “Siren Off Time”. If the fault remains on the Fence, then the Siren will sound again after the “Siren Off Time” has elapsed. If however, the fault is cleared, then the Siren will be ready to sound again for the next Alarm.

Alternatively, disarming the ZM1 will silence the alarm.

3.4.3 CHANGING THE USER PIN

- Enter the current **User PIN** (default is 1234) and press ***0#**. This enters User Programming mode.
- Enter your new **User PIN** (must be 4 digits) and then **#**.
- Press ***#** to exit User Programming mode.
- Make sure your new User PIN works by using it to arm the ZM1.

3.4.4 SUMMARY OF LCD KEYPAD FUNCTIONS

Function	Key Sequence
Arm/Disarm	[User PIN][#]
Silence an alarm (Single zone system only)	1470[#]
Start Programming the Z series energiser	[Installer PIN][*] [0] [#]
Start Programming the Keypad	[Installer PIN][*] [0] [1] [#]
Exit Programming (any mode)	[*] [#]
Change a User PIN, 4 Digits	[User PIN][*]0#[New PIN]#
Change the Installer PIN, 5 Digits	[0] [0] [New Installer PIN][#]
Arm All Zones (Multi-zone groups)	[User PIN][*][1][0][#]
Arm Zone 1 (Master)	[User PIN][*][1][1][#]
Arm Zone x, where x is any zone number up to 15	[User PIN][*][1][x][#]
Disarm All Zones	[User PIN][*][2][0][#]
Disarm Zone 1 or Master	[User PIN][*][2][1][#]
Disarm Zone x, where x is any zone number up to 15	[User PIN][*][2][x][#]
Switch to low power mode (all zones)	[User PIN][*][4][1][#]
Switch to high power mode (all zones)	[User PIN][*][4][2][#]
Arm Gate circuits only	[User PIN][*][4][#]
To change the Keypad Messages to English	[*][3][1][#]
To change the Keypad Messages to Spanish	[*][3][2][#] (not well supported yet)

Function	Key Sequence
Keypad Audible Feedback On/Off	[*] [5] [1] [#]
Keypad Chimes Toggle On/Off	[*] [5] [3] [#]
Keypad Error Tones On/Off	[*] [5] [4] [#]
Keypad Alarm Tones Toggle On/Off	[*] [5] [5] [#]
Backlight Toggle On/Off	[*] [8] [#]
Display Keypad Model	[*] [9] [#]
Analyse group	[*][6][8][#]
Reset and Display firmware version number	[User PIN][*][6][8][#]
Reset and return to factory defaults	[Installer PIN][*] [6] [8] [#]
Siren test	[*] [6] [3] [#]
Battery test	[*] [6] [4] [#]
Clear Alarm memory	[*] [1] [#]

The ZM1 is equipped with four jumpers. Two of them (J3 and J4) are special purpose jumpers (links). The purpose of each is listed in the table below.

3.5 JUMPER CONFIGURATION

The ZM1 is equipped with four jumpers. Two of them (J3 and J4) are special purpose jumpers (links). The purpose of each is listed in the table below.

JUMPER	FUNCTION	PURPOSE
J3	DC only jumper	Install J3 to inhibit Mains fail errors if the intention is to operate the energiser on DC only (as in solar power systems).
J4	Factory default jumper	If the monitor unit needs to be defaulted to factory settings, remove all power – mains and battery – and remove the J4 jumper. Reapply the battery power first, and then the mains power. Reapply the J4 jumper and the unit will be reset to default settings. If Status LED flashes four times after defaulting the unit, return it to the nearest JVA service centre.
J5	Suppress beeper	Install to J5 to suppress the beeper.
J6	Energizer Supply Voltage	Fit J6 to set the supply voltage for the external energizer. If the top two pins are selected (12V Regulated) then the energizer supply voltage will be the same as the PAE202 battery voltage (between 12 and 14.5 volts). If the bottom two pins are selected (24V Unregulated) the voltage supplied to the energizer will depend on the type and size of AC power adapter used, but maybe as high as 24 volts. Refer to section “5.4 Low Voltage Wiring Diagrams” on page 24

3.6 LCD DISPLAY

The LCD display on the ZM1 will switch between two different display modes. The mode shown can be identified by the feed and return LED's on the status panel.

The picture on the left below shows the feed mode, which shows the voltage at the start of the fence, and the current flowing into the fence. The picture on the right shows the voltage at the end of the fence, and the ground voltage.

Note that the return voltage can be inhibited with programming option 15 if only the start of the fence is to be monitored.



3.7 STATUS LED LIGHTS

The status LED's on the front of the ZM1 allow the user to quickly ascertain the current status of the unit and if any action needs to be taken. Below is a brief description of each LED (from left to right, top to bottom) and the information it conveys.

LED LABEL	DESCRIPTION
Power	On whenever the unit has power
Feed	tells the user that the LCD is displaying the Feed Voltage (left) and Fence Current (right)
Armed	On when the unit is armed (pulsing)

LED LABEL	DESCRIPTION
Return	ells the user that the LCD is displaying the Return Voltage (left) and Ground Voltage (right)
Fence	On when there is a fence alarm (either channel)
Gate	On when there is a gate alarm
Ground	On when there is a ground alarm (specific meaning will vary depending on ground configuration) (Please refer to the installation chapter for more information.)
Status	Flashes an error code for monitor (service) errors. These error codes are identical to the Z energizer range. The table below shows the Status LED Error Codes.

The number of flashes of the 'STATUS' LED indicates particular errors. The table below shows the Status LED Error Codes.

Error LED Number of Flashes	Interpretation	Corrective Action
2	16Vac mains fail	Restore mains power
3	Low battery, bad battery	Charge or replace battery
4	PCB service fault	Return to repair/service centre. Note: A Z slave will show this error if disconnected from the Master.

4 SPECIFICATIONS

The specifications table below outlines the power consumption of the ZM1 and the acceptable voltage and current ranges for different inputs and outputs.

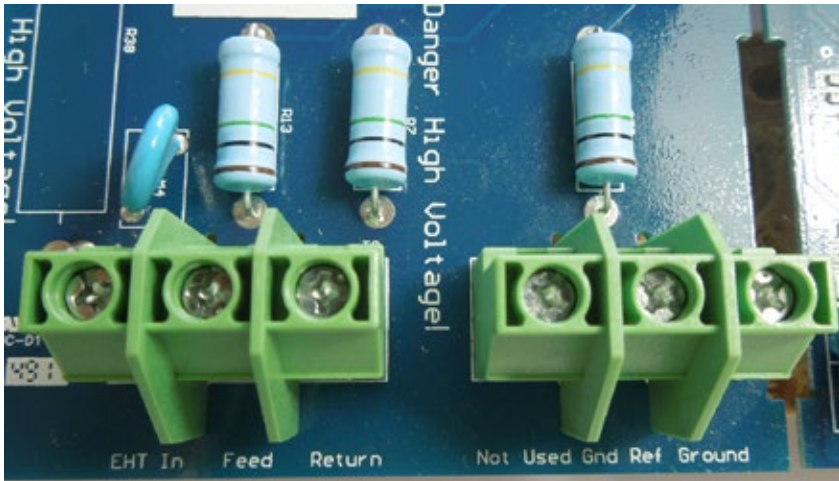
Internal battery charger float voltage	14.3Vdc
Internal battery charger charging current	580mA
Absolute maximum power consumption of ZM1 (Note 1)	85mA at 12.5Vdc
Maximum AC input voltage when internal battery charger is supplying 580mA	19Vac
Maximum DC energizer current from ENERGIZER powered output if using 16Vac supply and internal battery	2.3 Amps
Amps maximum DC energizer current from ENERGIZER powered output if using external power supply and battery	10 Amps
Maximum voltage on In1, SW2 and Gate inputs (Note 2)	5Vdc
Maximum power provided to Siren and Strobe outputs (Note 3)	35Watts
Maximum fence voltage	9.9kV
Maximum fence current	80 Amps
Recommended operating temperature	-15°C to +50°C

Note:

1. This is the power consumption when none of the powered outputs are active and the keypad is not connected. The rated power consumption may be lower depending on relay configuration and alarm states.
2. The control inputs, In1, SW2 and Gate supply their own power (5 volts, limited to 220nA). If a powered control system is connected to these inputs, the control voltages must not exceed 5 volts.
3. The rated power is the combined output power of both the Siren and Strobe outputs. The voltage which can be expected on this output is the battery voltage. The combined maximum output current of both these outputs is 2.5 Amps. Note that the maximum output power will drop as battery voltage drops.

5 INSTALLATION

5.1 EHT TERMINALS ON THE ZM1



Description of high voltage terminals (left to right)

EHT In	Connect the high voltage output of the energizer to this terminal to allow fence current to be measured.
Feed	Connect the start of the fence to this terminal. Voltage at Feed will be the same voltage as EHT In.
Return	Connect the start of the fence to this terminal. The Return voltage will normally be lower than the Feed voltage.
Not Used	This terminal is unused at this time.
Ground Ref	Reference ground connection. Please refer to diagrams Earth Loop Monitoring, Earth Stake Monitoring and No Earth Monitoring for information on how to configure this input.
Ground	Main fence earth. Please refer to diagrams Earth Loop Monitoring, Earth Stake Monitoring and No Earth Monitoring for information on how to configure this input.

5.2 FENCE WIRING DIAGRAMS

There are a number of ways the fence wires can be connected to a ZM1. The following diagrams will outline different ways in which the ground circuit can be configured and what the benefits of each are.

5.2.1 CONFIGURATION WITH NO RETURN WIRE FROM FENCE

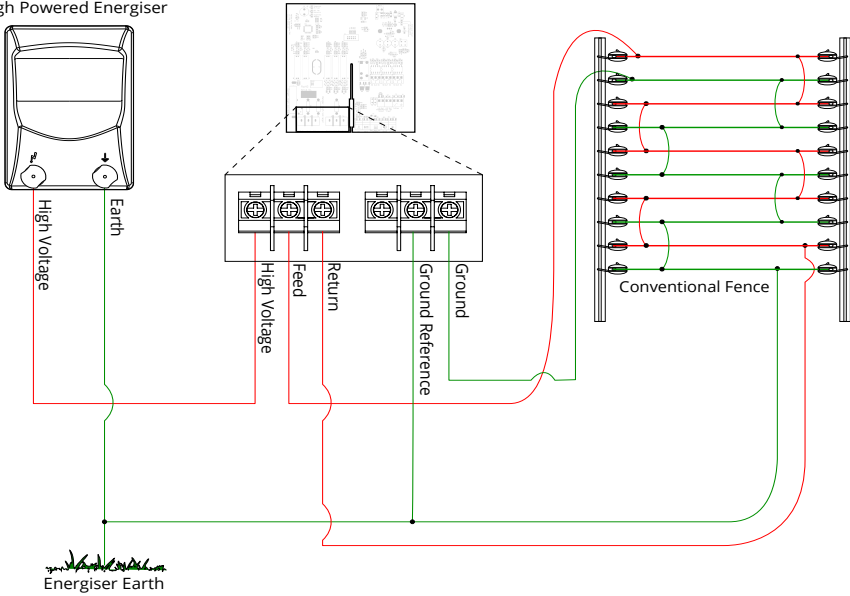
NOTE: Please refer to programming option Fence Mode (point 6.3.13).



5.2.2 EARTH LOOP MONITORING

The set up pictured below will detect if the ground wire has been cut. Connect the Ground Reference input to the energizer Earth, and the Ground input to the other end of the earth fence loop.

High Powered Energiser

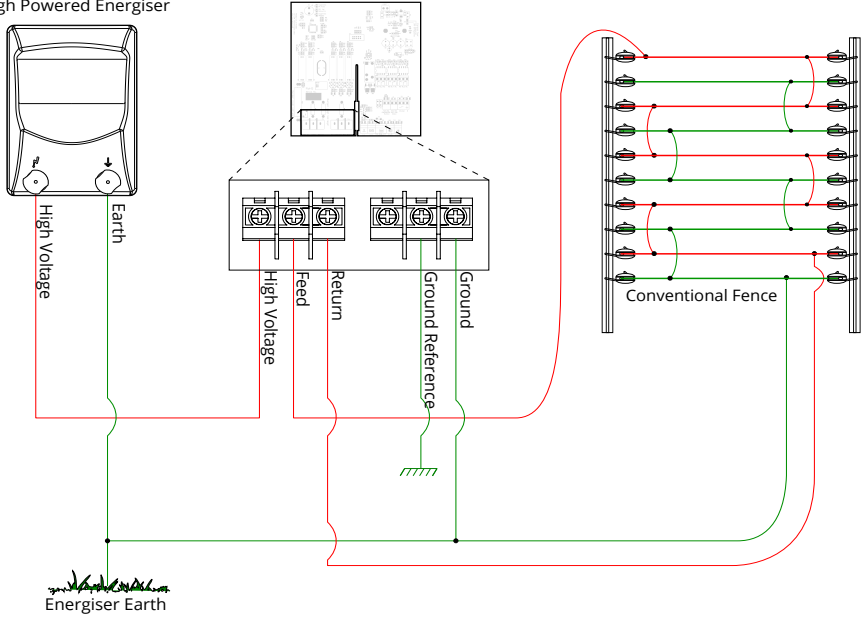


5.2.3 EARTH STAKE MONITORING

This setup will check how well the energizer is earthed. Connect the Ground, Reference input of the ZM1 to the mains earth, or the cabinet earth.

Reference must be more than 10m away from the Energizer Earth.

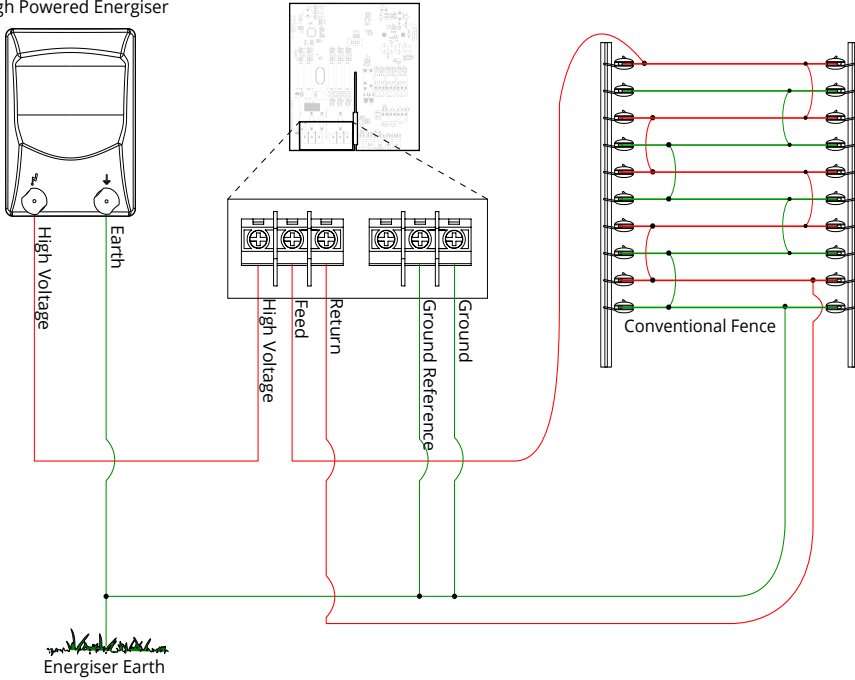
High Powered Energiser



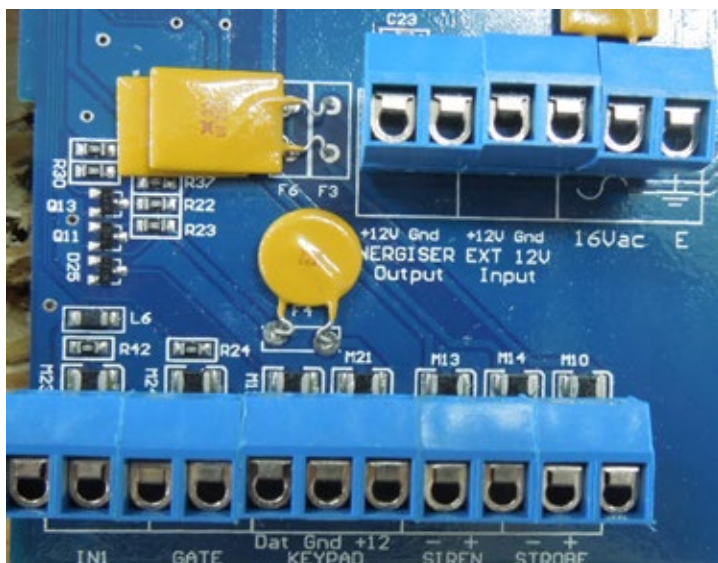
5.2.4 NO EARTH MONITORING

This setup will monitor only the fence feed and return voltages and fence current. Connect the Ground Reference and Ground inputs to each other with a short piece of wire.

High Powered Energiser



5.3 LOW VOLTAGE TERMINALS ON THE ZM1



LABEL	TYPE	DESCRIPTION
IN1	2 Way	Energizer control input (dry contact). Defaults to normally open. Can be used for a remote switch or a radio receiver. The receiver may be powered from the keypad+12V terminal.
GATE	2 Way	ZM1 Gate Input, when the unit is armed and the gate is opened, it will trigger the gate alarm.
KEYPAD	3 Way	Supplies power and data line for an external keypad. The +12 source on these terminals is protected with a 1A self resetting fuse.
SIREN	2 Way	Switched 12 volt output. Low side switched. 35W max (including strobe). A buffer relay should be used when connecting these outputs to an alarm panel.
STROBE	2 Way	Switched 12 volt output. Low side switched. 35W max (including siren). A buffer relay should be used when connecting these outputs to an alarm panel.

LABEL	TYPE	DESCRIPTION
Energizer Output	3 Way	Powered output which is enabled when the ZM1 is armed. Power is drawn from the ZM1 battery and 16Vac power supply, or from the EXT 12V input.
EXT 12V Input	2 Way	Input used for DC energizers which exceed the supply rating of the 16Vac transformer (greater than 12 Joules output).
16Vac	3 Way	16Vac power input. Fused via F3 3A self resetting fuse.
Relay 3	3 Way	May be set to any of 16 alarm conditions.
Relay 4	3 Way	May be set to any of 16 alarm conditions.
Relay 5	3 Way	May be set to any of 16 alarm conditions.
Batt	Leads	12V dc or battery connection via F1 (3 Amp self resetting fuse). Connect Red lead to battery positive (+) terminal. (not pictured on page 24)
SW2	2 Way	Energizer control input. Normally connected to a key-switch (not pictured on page 24).

5.4 LOW VOLTAGE WIRING DIAGRAMS

5.4.1 16VAC 2AMP POWER SUPPLY

The ZM1 can be used to power an external high powered energizer. A 16Vac 2Amp power supply is able to power a B8 or B12 (or equivalent) energizer as well as the ZM1 and keep the backup battery charged.

WARNING: The DC voltage supplied to the energizer will be the rectified voltage of the 16Vac which may be as high as 30Vdc.

If the top two pins are selected (12V Regulated) then the energizer supply voltage will be the same as the PAE202 battery voltage (between 12 and 14.5 volts). If the bottom two pins are selected (24V Unregulated) the voltage supplied to the energizer will depend on the type and size of AC power adapter used, but maybe as high as 24 volts.

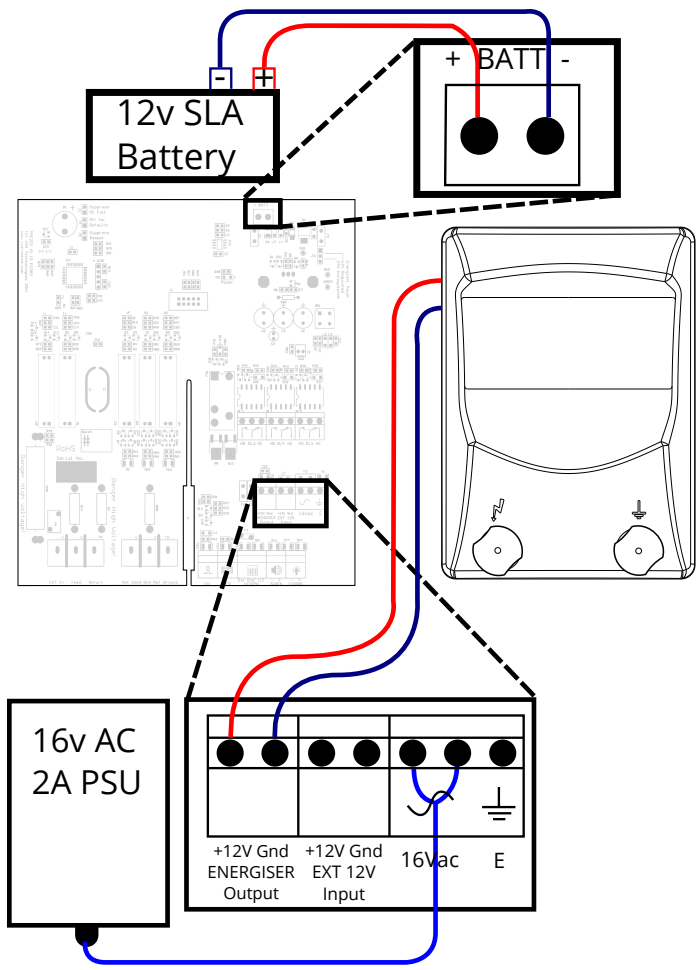
Larger energizers will need to utilise the external 12 volt power supply input. If running the JVA MB8, MB12 or MB16 energizer, it is recommended that you use the 24V option.



12 Volt Regulated



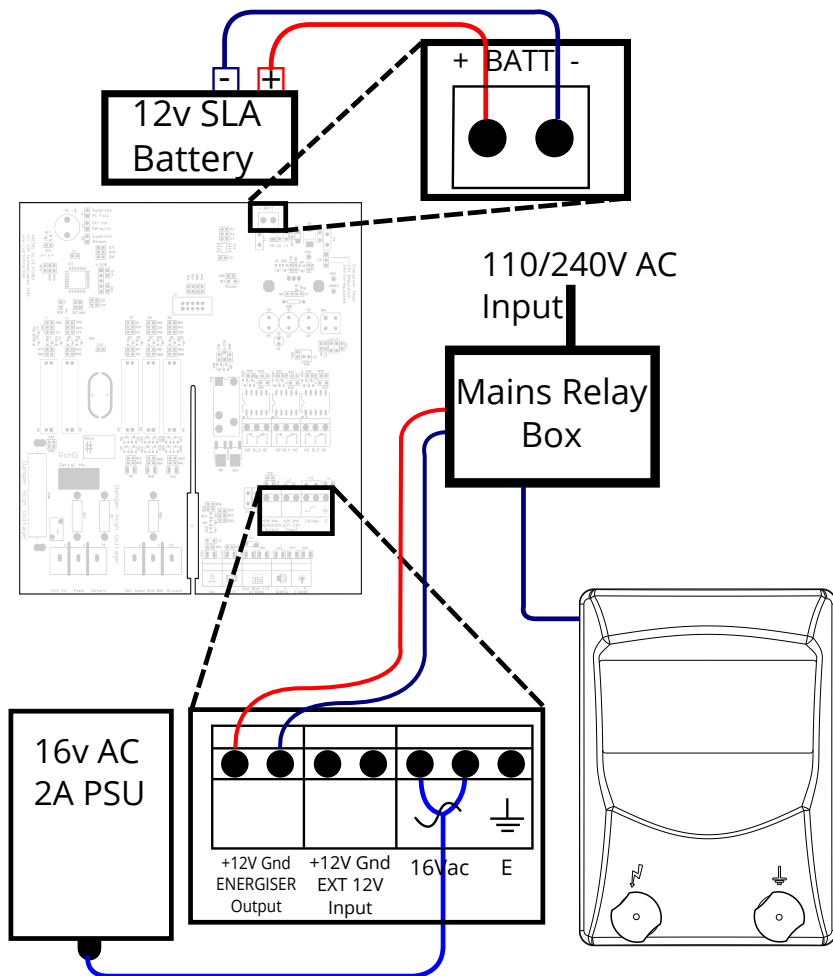
24 Volt Regulated



5.4.2 CONTROLLING A 240VAC ENERGIZER

The ZM1 can be used to power an external high-powered energizer. The ZM1 can control an external relay box designed to switch 110Vac or 240Vac powered energizers. The relay box needs to accept switching voltages of up to 13.8 volts.

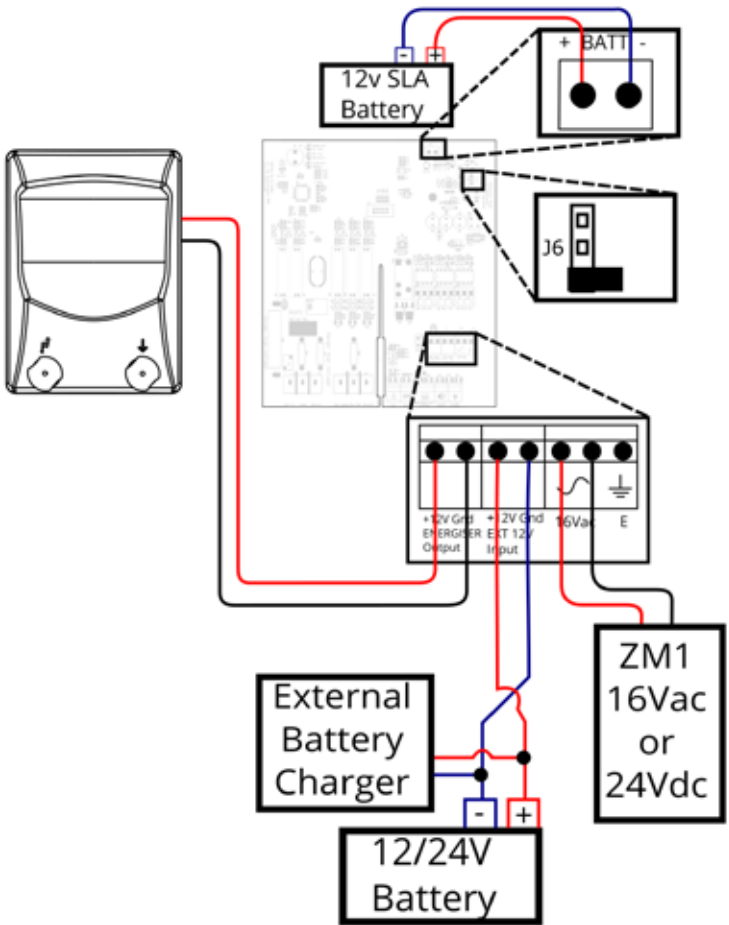
WARNING: DO NOT use relay 3, 4 or 5 on the ZM1 to switch mains voltage.



5.4.3 INDEPENDENT DC ENERGIZER SUPPLY

The ZM1 and Energizer can be powered by independent power supplies. This is achieved by connecting the external 12/24Vdc power supply for the Energizer into the EXT Input and removing the J6 connection. To ensure the J6 shunt is not lost, fit it onto a single pin of J6.

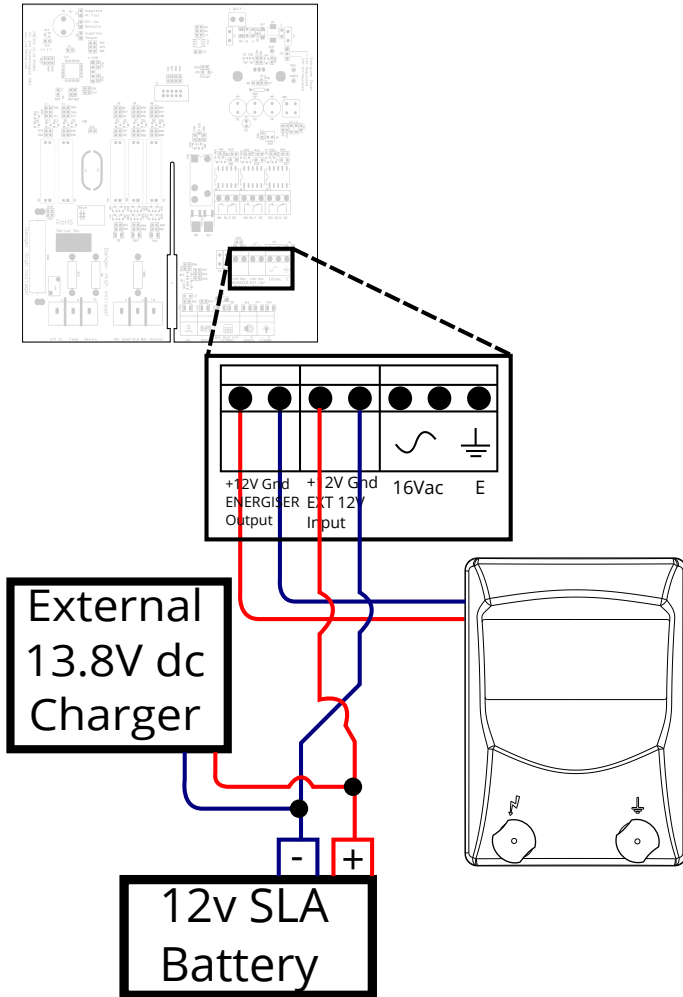
The ZM1 will now be powered by the 16Vac input and backup battery.



5.4.4 EXTERNAL BATTERY AND CHARGER

Larger 12Vdc energizers will need to utilise an external 12 volt power supply.

To power the ZM1 from the external battery and charger, ensure Jumper J6 is placed on the 12V regulated pins. Do not connect a 16Vac supply to the ZM1.



6 PROGRAMMING OPTIONS

Like the Z series of security energizers, the ZM1 has a non-volatile memory in which programming options (or setup parameters) can be stored. These are factory pre-set, but can be field programmed using a keypad.

Default Installer PIN is 012345.

6.1 PROGRAMMING BASICS

Some of the programming options on the ZM1 are different to those on the Z series of security energizers, but the basic functions remain the same.

6.1.1 ENTERING PROGRAMMING MODE

To enter programming mode, enter the 6 digit installer PIN followed by *0# keys.

The keypad will beep twice to indicate that the command was accepted. If the PIN was incorrect the keypad will beep 3 times. The LCD will now show the first programming option and its current setting.

Pressing the # key will cycle through all the options on the LCD.

6.1.2 EXITING PROGRAMMING MODE

To exit programming mode once programming has been completed, press*# . If left unattended, the unit will time out and auto exit after approximately 5 minutes.

6.1.3 CHANGING THE INSTALLER PIN

The installer PIN may only be changed while in programming mode.

To enter a new installer pin, press 00 followed by the new 6 digit installer PIN, then the # key.

If you cannot remember your installer or user PIN, return the units memory to default. To do this, remove power (AC off and disconnect the battery), open the energizer, remove jumper J4 and reconnect the battery for about 10 seconds. Do not forget to re-fit J4. This will return all options to the factory set defaults.

6.1.4 CHANGING PROGRAMMING OPTIONS

Most of the options have possible values in the range of 0 to 9.

To change any options, first check the option number and then the Programming Options in Detail. Then press the option number followed by the required value. For example, to change the Missed Pulse Count (Option 06) to 9 press 0609#, the keypad will beep twice to indicate that the command was successful. The ZM1 LCD will immediately show the updated value.

6.2 PROGRAMMING OPTIONS TABLE

OPTION	FUNCTION	DESCRIPTION
01	Fence alarm voltage level	Sets the voltage below which the fence alarm will occur. If the feed OR return voltage falls below this level for more than the Missed Pulse Count a fence alarm (Zone 1) will occur. If the return voltage is not being used set option 15 to 1.
02	Current alarm level	Sets the threshold to alarm on current from the feed terminal to the fence. If the feed current rises above this level for more than the Missed Pulse Count a fence alarm (Zone 1) will occur.
03	Ground Voltage alarm level	Sets the voltage above which the fence alarm will occur. If the ground voltage rises above this level for more than the Missed Pulse Count a ground alarm (Zone 2) will occur.
06	Missed Pulse Count	Sets the number of pulses which may be missed before the alarm is activated.
07	Battery Alarm Voltage	Sets the battery voltage threshold below which the general alarm will activate.
08	Siren On Time	Sets the time that the siren (and keypad beeper) will stay on after an alarm.
09	Siren Off Time	The amount of time the siren will remain off after the On Time has expired.
10	Siren Cycles	The number of times the siren will sound for the time set in On Time above. After this many cycles the siren will automatically mute.
11	Input type	Allows the ZM1 inputs to be changed from normally open to normally closed.
12	Gate Input Function	Gate switch only for now.
13	Gate Exit Delay	Duration of time from gate switch opening to alarm.

OPTION	FUNCTION	DESCRIPTION
14	Chime Mode	Allows the keypad and internal beeper function to be altered.
15	Fence Mode	Set to 1 if using start of fence only, removes return voltage from display and alarm.
16	Binary Options	Miscellaneous options
17	Anti-Bridging	Sets the % threshold for alarm on a sudden rise or fall of fence current.
20	Auto Re-Arm Time	Sets the time which must elapse after an alarm has timed out (completed the siren cycles) before the unit will automatically re-arm ready for the next alarm event.
21	Relay 1	Used to assign an alarm function to relay 1 (siren output)
22	Relay 2	Used to assign an alarm function to relay 2 (strobe output)
23	Relay 3	Used to assign an alarm function to relay 3
24	Relay 4	Used to assign an alarm function to relay 4
25	Relay 5	Used to assign an alarm function to relay 5
26	Group ID	If used as part of a SCADA system, this sets the device ID

6.3 PROGRAMMING OPTIONS IN DETAIL

Note: The bold panel in each table indicates the **ff** value.

6.3.1 FENCE ALARM VOLTAGE LEVEL (01X#)

This option sets the voltage below which the fence alarm will occur. If the feed OR return voltage falls below this level for more than the Missed Pulse Count a fence alarm (Zone 1) will occur. If the return voltage is not being used, set option 15 to 1.

Unlike the other Z series energizer the value is set directly, not via a table. For example to set a threshold of 5.0kV enter: 0 1 5 0 # (Do not enter the decimal!). The default level is 4.0kv (40).

Value (x)	Alarm Level
Minimum	
0	0.0 kV
40	4.0kV
Maximum	
99	9.9 kV

Fence Alarm Voltage Level (01x#)

6.3.2 CURRENT ALARM LEVEL (02X#)

This option sets the threshold to alarm on current from the feed terminal to the fence. If the feed current rises above this level for more than the Missed Pulse Count a fence alarm (Zone 1) will occur.

Unlike the other Z series energizer, the value is set directly, not via a table.

For example to set a threshold of 5A enter: 0 2 0 5 #

The default level is 10A.

Value (x)	Alarm Level
Minimum	
0	0 Amps
10	10 Amps
Maximum	
75	75 Amps

Current Alarm Level (02x#)

6.3.3 GROUND VOLTAGE ALARM LEVEL (03X#)

This option sets the voltage above which the fence alarm will occur. If the ground voltage rises above this level for more than the Missed Pulse Count a ground alarm (Zone 2) will occur.

Unlike the other Z series energizer, the value is set directly, not via a table.

For example, to set a threshold of 2.0kV enter: 0 3 2 0 #

Do not enter the decimal! The default level is 1.0kv (10)

Value (x)	Alarm Level
Minimum	
0	0.0 kV
10	1.0 kV
Maximum	
50	5.0 kV

Ground Voltage Alarm Level (03x#)

6.3.4 MISSED PULSE COUNT (06X#)

The Missed Pulse Count option is identical to that of the Z series of security energizers.

This option enables the pulse count to be varied from the default (3). This is the number of bad or missing pulses that are counted before the alarm occurs. Note: The lower this option is set, the more likely you are to get false alarms.

Value (x)	Missed Pulses
0	1
1	1
2	2
3	3
4	4
5	5
6	6
7	7
8	8
9	9

Missed Pulse Count (06x#)

6.3.5 BATTERY ALARM VOLTAGE (07X#)

This option sets the battery voltage threshold below which the general alarm will activate. The default Battery Alarm Voltage is 10.0 Volts. This alarm can be set to activate one of the relays, and is part of the General alarm, see below.

Note: The ZM1 will not turn the energizer off when the battery voltage is low. But if the supply voltage falls too low the relay powering the external energizer will eventually drop out.

Value (x)	Alarm
0	9.0V
1	19.5V
2	10.0V
3	10.5V
4	11.0V
5	11.5V
6	12.0V
7	12.5V
8	13.0V
9	13.5V

Battery Alarm Voltage (07x#)

6.3.6 SIREN ON TIME (08X#)

The Siren On Time option is identical to that of the Z series of security energizers.

This option sets the duration of time that the siren will remain on after a fence alarm occurs. After this time the siren will turn off for the off time indicated in the

table in 6.3.7 Siren Off Time Values. The siren will sound again if the alarm is still present after this off time has passed.

The default is 3 Minutes. This may be the subject of local regulations to stop an alarm causing undue disturbance to neighbours, etc.

Note: The Siren On Time will be cut short if the battery falls below the low battery level.

Value (x)	Time
0	10 Seconds
1	30 Seconds
2	1 Minute
3	2 Minutes
4	3 Minutes
5	4 Minutes
6	5 Minutes
7	6 Minutes
8	7 Minutes
9	8 Minutes

Siren On Time (08x#)

6.3.7 SIREN OFF TIME (09X#)

The Siren Off Time option is identical to that of the Z series of security energizers.

This option sets the amount of time the siren will be off for after the on time above has expired. If an alarm is still present after this off time the siren will sound again.

Value (x)	Time
0	10 Seconds
1	1 Minute
2	2 Minutes
3	5 Minutes
4	10 Minutes
5	20 Minutes
6	30 Minutes
7	40 Minutes
8	50 Minutes
9	60 Minutes

Siren On Time (09x#)

6.3.8 SIREN CYCLES (10X#)

The Siren Cycles option is identical to that of the Z series of security energizers.

This option sets the maximum number of times the siren will sound for the On Time if the alarm continues. This may be limited by local regulations to stop an alarm causing undue disturbance to neighbours, etc.

Note: This is the maximum number of cycles for 1 continuous alarm. Intermittent alarm events could cause more than this number of siren soundings.

Value (x)	Cycles
0	1
1	1
2	2
3	3
4	4
5	5
6	6
7	7
8	8
9	9

Siren Cycles (10x#)

6.3.9 INPUT TYPE (11X#)

The Input Type option is identical to that of the Z series of security energizers.

The control inputs can be inverted unless an input is used for a Gate switch, in which case it is always NC.

Value (x)	Input type
0	NO Normally open
1	NC Normally closed

Input Type (11x#)

6.3.10 GATE INPUT FUNCTION (12X#)

This input can not be configured to anything other than a Gate input at this time.

6.3.11 GATE EXIT DELAY (13X#)

The Gate Exit Delay option is identical to that of the Z series of security energizers. This option sets the time between the gate switch opening and the siren sounding.

Value (x)	Function
0	0 Seconds (immediate)
1	30 Seconds
2	1 Minute
3	2 Minutes
4	3 Minutes
5	4 Minutes
6	5 Minutes
7	6 Minutes
8	7 Minutes
9	8 Minutes

Gate Exit Delay (13x#)

6.3.12 CHIME MODE (14X#)

The Chime Mode option is identical to that of the Z series of security energizers.

This option allows the energizer internal and keypad beeper to be used as a door chime for the gate switch. When set to None, the keypad beeper is used to indicate correct keypad operation only. In Door Chime mode, the beepers sound when the gate switch opens, even if the energizer is disarmed.

Note: Gate must be selected in option 12.

If set to Siren, the beepers mimic the siren function.

Gate Beeps plus Siren will give 2 beeps when the gate starts opening and 4 beeps when it closes, plus continuous beeps for an alarm. Beeps are on the keypad only, not on the internal beeper.

Value (x)	Function
0	None
1	Door Chime
2	Siren
3	Fence Alarm
4	Gate beeps plus Siren

Chime Mode (14x#)

6.3.13 FENCE MODE (15X#)

This option configures if the return voltage should be monitored. If set to 1, this option will stop the return voltage from being displayed on the LCD, and inhibit

any alarms which may normally be triggered owing to no voltage being present on the return input.

Value (x)	Function
0	Monitor Return
1	Feed only

Fence Mode (15x#)

6.3.14 BINARY OPTIONS (16X#)

Each option in this table can be turned on by adding the value.

For option 1 set 16 to 01, for both options 1 and 2 set 16 to 03 (1+2=3).

+1: Enable DFD™ (Distant Fault Detection). Firmware V1.40 and later, PCB V1.10 and later.

+2: Set if using a ZM1 in a group where the energiser is not a Z series energiser. This tells the ZM1 that the energiser may not be synchronised .

DFD™ enables the ZM1 to detect a fault at the end of very long fences. Instead of only measuring the peak current the ZM1 uses DFD™ to calculate the “real” current and rejects the “reactive” current.

The current displayed will usually be less than read by a standard hand-held meter with this feature on. There is no theoretical limit to the length of fence that the ZM1 can monitor with this feature on. Without DFD™ the limit is approximately 8km.

* DFD™ is Trade Mark and Patented.

Value (x)	Function
0	All off
+1	DFD*
+2	Non Z series energiser

Binary Options (16x#)

6.3.15 ANTI-BRIDGING THRESHOLD (17X#)

Anti-Bridging has been designed to detect a section of fence being bypassed, and removed, by an intruder bridging the adjacent fence sections together. This also detects when the feed is connected to the return with a short cable, and then the entire fence is cut.

Setting this option to a value greater than 0 (default is 0 = off) will enable Anti-Bridging.

While Armed, a Fence Alarm will trigger if the Fence Current rises OR falls quickly by more than the threshold. A slow change to the Current will not trigger a Fence Alarm until the Current is more than the Current Alarm Level (02x#).

The Anti-Bridging Threshold is a percentage value of the Fence Current. For example, setting option 17 to 50 (1750#) will set a 50% Anti-Bridging Threshold. At this level a Fence Current normally reading 10Amps will trigger a Fence Alarm if the Current quickly rises to over 15A or falls to less than 5A.

Measuring fence current to determine if a fence is bridged will work irrespective of the energizer type powering the fence.

Value (x)	Threshold
Minimum	
0	Disabled
Maximum	
90	90%

Anti-Bridging Threshold (17x#)

6.3.16 AUTO RE-ARM TIME (20X#)

The Auto Re-Arm Time option is identical to that of the Z series of security energizers.

This option sets the time which must elapse before another alarm will sound after the first alarm has timed out (gone completely through its cycles).

If an event occurs (such as a low fence voltage) which triggers the siren, any other events which would otherwise trigger the siren (such as a gate alarm) will

be ignored while the siren is sounding and until after the Auto Re-Arm time has passed.

A setting of 9 will disable auto Re-Arm.

If this time is set to less than the Siren Off Time, the unit may re-arm in the siren off time and the number of siren cycles will be reduced.

Value (x)	Time
0	0 Seconds (Immediate)
1	30 Seconds
2	1 Minute
3	2 Minutes
4	3 Minutes
5	4 Minutes
6	5 Minutes
7	6 Minutes
8	7 Minutes
9	Disabled – Do not auto rearm

Auto Re-Arm Time (20x#)

6.3.17 RELAY FUNCTIONS

All relays can be set to any of the available functions (user assignable).

Relay 1 is (21x#)

Relay 2 is (22x#), etc

Defaults for the ZM1:

- Relay 1 – Siren (2108#)

- Relay 2 – Strobe (2209#)
- Relay 3 – Fence 1 (2300#)
- Relay 4 – Armed1 (2302#)
- Relay 5 – General (2507#)

Note: The siren and strobe switched 12V outputs can be used to drive external buffer relays.

Value (x)	Function
0	Fence 1
1	Fence 1 or off
2	Armed 1
3	Ground Voltage
4	Ground Voltage or Off
5	Not used
6	Bi-Polar
7	General
8	Siren
9	Strobe
10	AC Fail
11	Low / Bad Battery
12	Tamper
13	Not used
14	Gate Alarm
15	Siren caused by Gate
16	Not used

Relay Functions

Function	Logic for alarm state (opposite of normal state)
Fence alarm	The ZM1 is Armed AND the fence voltage has fallen below the Fence Alarm Voltage Level (Option 01) for more pulses than the Missed Pulse Count. Not latched.
Fence alarm or off	The ZM1 is Disarmed OR the ZM1 is Armed and fence voltage has fallen below the Fence Alarm Voltage Level for more pulses than the Missed Pulse Count. Not Latched
Fence Bi-polar	Not applicable to the ZM1.
Armed	The ZM1 is Armed.
General	AC fail OR Tamper OR Low battery OR internal error. Latched for internal errors only.
Siren	Fence alarm 1 OR fence alarm 2 OR Gate Or Tamper, will time out after the siren time out time. This function is latched.
Strobe	As per siren but does not time out, will remain on until the ZM1 is Disarmed. This function is latched.
AC Fail	Alarm on AC Fail
Battery	Alarm on low or bad battery
Tamper	Not applicable to the ZM1.

6.3.18 GROUP MODE (26X#)

A group must have only 1 master. The other Energisers/Monitors in the group are slaves. As the keypad bus is common among the group, one keypad could be used to program all Energisers/ZM20 for all Options. As the ZM20 contains different Option values to the Z-Series Energisers, it MUST not be programmed this way.

The correct procedure is:

Connect the keypad to each Energiser/ZM1 in turn, programming each Option as required before linking the Keypad bus into a group.

As of code version 1.59+ the ZM1 can now be a group master in limited circumstances.

Groups can now be made up of:

ZM1's (driven by MB8 or similar energisers) or Z series energisers and ZM1's

If the group contains Z series energisers an energiser should be the master. If one or more ZM1's are connected via a TCP/IP board to a PC then the TCP/IP board will be the master.

If any ZM1 in a group is coupled to a non Z series energisers all slave ZM1's must have Option 16 set to 2.

Since agricultural energisers cannot be synchronised over the keypad bus the normal rules regarding using an isolation barrier between two fences powered by non-synchronised energisers apply.

If you are controlling ZM1's in a group using a LCD keypad then the ZM1's should be spaced 2 ID's apart like a Z28. This does not apply to the Touch keypad.

Value (x)	Mode
0	No Group
1	Master
2	Slave 1
3	Slave 2
4	Slave 3
5	Slave 4
6	Slave 5
7	Slave 6
8	Slave 7
9	Slave 8
10	Slave 9
11	Slave 10
12	Slave 11
13	Slave 12
14	Slave 13
15	Slave 14

Group Mode (26x#)

7 **WARRANTY**

All JVA products carry a 3-year warranty against defective components and workmanship. The warranty excludes damage caused by acts of Nature such as

lightning or flooding, power supply surges, rough handling, malicious actions or

incorrect wiring.

Whilst every effort has been made to check that the information contained in this manual is accurate, JVA Technologies Pty Ltd will not be liable to loss or damage resulting from construction, operation or failure of any installation or system. Installation of security electric fences should be made by trained professionals with regard to the relevant local standards and workplace health and safety requirements.



DEALER



Version 1.13

WWW.JVA-FENCE.COM