

# PTE0340



## PTE0340

### 4 CHANNEL LOW VOLTAGE LIGHTNING DIVERTER

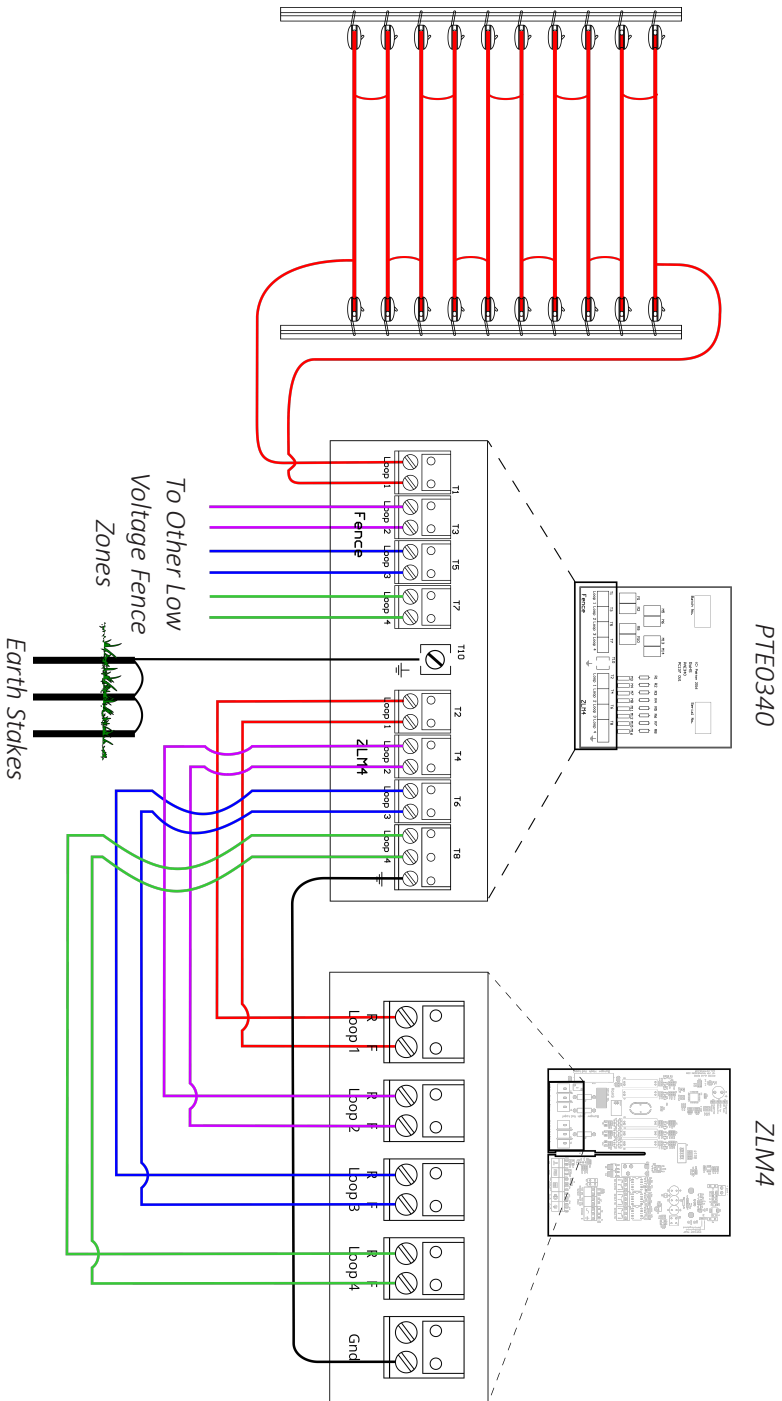
The JVA 4 Channel Low Voltage Lightning Diverter provides protection for a ZLM4, ensuring that a lightning strike on, or near the fence, is safely diverted to Earth. Its two stage protection has been designed to withstand a lightning pulse of up to 2500 Amps while limiting the voltage to the ZLM4 to within 60V of the Earth.

Note: The lightning Diverter is designed to sacrifice itself to protect the ZLM4 it is connected to. If the lightning surge is greater than the Lightning Diverter can handle it will be damaged and require replacement.

#### Installation Instructions

To protect the ZLM4, the 4 Channel Low Voltage Lightning Diverter must be placed between the ZLM4 and the fence. For a detailed instruction on wiring the 4 Channel Low Voltage Lightning Diverter to the ZLM4, please see the diagram on the following page. Only one connection should be made to Ground; this should be connected to the  $\perp$  symbol on the "Fence" terminal of the 4 Channel Low Voltage Lightning Diverter. Make sure that the Earth stake used for ground is well sized; is connected typically to an aluminium or copper wire; is atleast 1m<sup>2</sup> into the ground and is not placed near the mains Earth stake.

**NOTE: Do not mount the PTE0340 directly onto a metal backing plate; it must be insulated as it has holes on the back!**



---

Tel : +61 (0)499 000 455 Email : sales@jva-fence.com.au

[www.jva-fence.com](http://www.jva-fence.com)

---

