



**JVA Solar Wi-Fi Anywhere® Kit
Quick Start Guide**

**WA20
PTE2700**



Wi-Fi Anywhere

Introduction

The PTE2700 JVA Wi-Fi Anywhere® (WA20) provides an integrated Wireless Cellular USB Dongle (Wingle) power supply with a solar battery charger and management system.

This product provides a Wi-Fi network wherever a 3G/4G signal is available*. The Wi-Fi can then be used to connect an IP device or Internet of Things (IoT) device to the Cloud (Internet).

The JVA Solar Wi-Fi Anywhere® is paired with the Wingle at the factory, all you need to do is:

1. Register the SIM card
2. Connect any Wi-Fi enabled device to the network provided

This quick-start guide explains how to connect your WA20 and connect a battery ready for Wi-Fi connections.

*An external cellular antenna (included) may be connected to increase reception. An upgraded YAGI style antenna is available from sales@jva-fence.com.au

Specifications

Component	Information
Solar Panel	Nominal 12v Solar Panel (maximum open circuit voltage - 22v DC) Maximum Power 20W
Battery	Nominal 12.8v DC Minimum Battery size 18Ah A larger battery may be required if any additional 12v device is connected to the battery
Outputs(1)	12v DC SAE Connector Used for powering an external device

Component	Information
Outputs (2)	12v DC Battery Connector Alligator clips for battery connection
SIM	Full Size
Wi-Fi	2.4GHz b/g/n Up to 10 connections at a time
Network (Huawei E8372)	3G 850/2100MHz 4GX 700MHz + 4G B1/3/7/21
Antenna Connector	Female SMA Ensure antenna is mounted away from sources of interference such as AC or high voltage cables.

Troubleshooting

Fault	Likely Cause	Remedy
No lights are on	Power is not connected Power wires are reversed	Check power connections Check battery polarity
Batt level flashing	Battery disconnected Bad battery	Check battery connections Check battery voltage
USB_5V LED off	USB device drawing too much current	Unplug USB device, check for damage/ seek manufacturer advice

Fault	Likely Cause	Remedy
Battery not charging	Solar wiring backwards Broken cables Solar panel broken	Check that the Solar + goes to the left-hand screw terminal Check that the battery cables are not damaged Check solar panel for physical damage (broken glass, bent frame etc.)
Cannot connect to Wi-Fi	Low signal from 3G/4G Out of Wi-Fi range (~10m) SIM card not inserted correctly	Check management page of Wingle Move closer to Wingle Re-insert SIM card

If the unit is still not working correctly, contact your nearest JVA distributor for technical support.

Before you start

Activate the SIM card

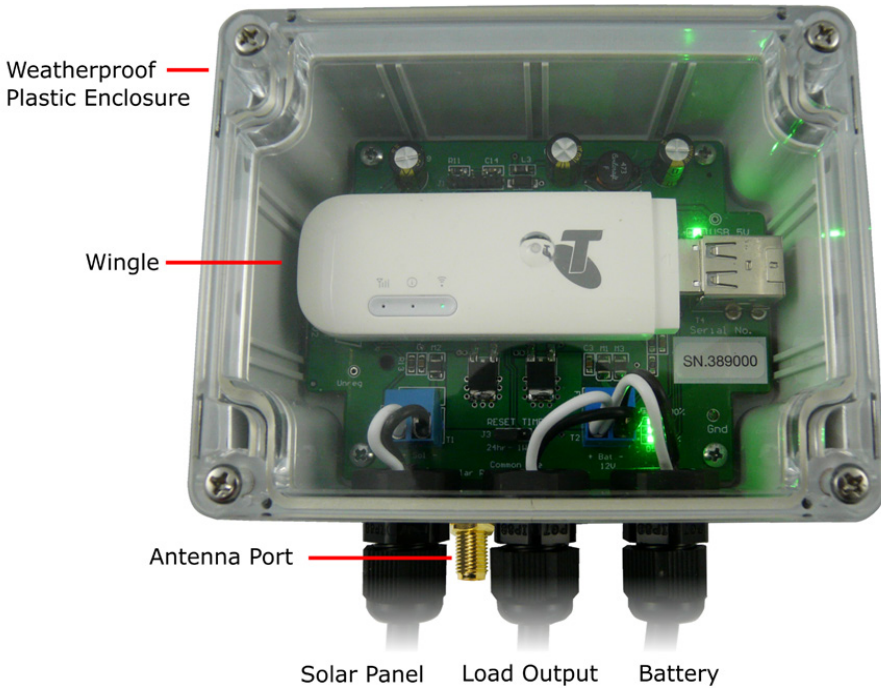
Activate your SIM card and test it in a mobile phone. The Wi-Fi network allows a data-only connection, the number of devices connected to the module will determine how much data will be used.

As a guide, a single IP Energiser or IP Monitor will use less than 1MB per day, so for connecting a single IP Energiser, an upper limit of 500MB per year is an option with a lot of headroom.

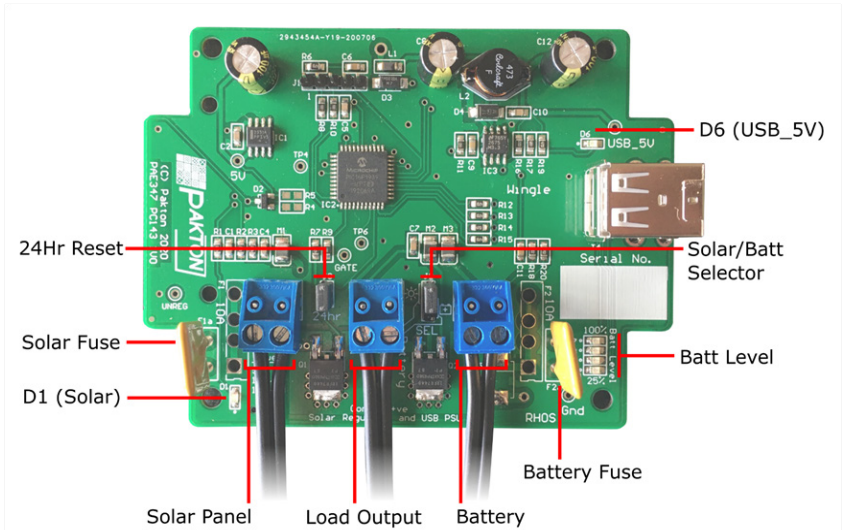
Mounting WA20

The WA20 includes a built in star picket mount, utilise this to keep the solar panel facing north to get full sun from morning to evening.

Overview



LED Indicators



D1 (Solar)	Solid on when solar panel in sunlight Blinking when solar panel in low power conditions Off when no solar power detected
D6(USB_5V)	Solid on when USB Power is turned on
Batt Level	Bottom LED flashes if no battery is disconnected or bad Shows battery level from bottom to top: 25% to 100%

Battery Connection and First Power On

Connect the battery to the PTE2701 by the included battery connection cables. Ensure that the positive is connected to the red connector, and the negative to the black connector.

Once connected, the Batt Level indicator lights will show the approximate voltage level of the battery.



JVA Distributors

If you have questions or need further assistance, please email us at sales@jva-fence.com.au or call

Region	Number
Australia	0731 030 582
South Africa	0861 782 349
World Wide	+61 731 030 582

For more information on our complete range of electric fencing products please see the JVA website at <https://www.jva-fence.com.au>

Tel : +61 (0)499 000 455 Email : sales@jva-fence.com.au

www.jva-fence.com

